



# MODEL: S95PA Multi-Position Gas Furnaces

FORM NO. GSC-537 REV. 4



## Sure Comfort® S95PA 95% A.F.U.E.† Multi-Position Gas Furnaces

- Models with Input Rates from 40 to 115 kBTU [11.72 to 33.71 kW]



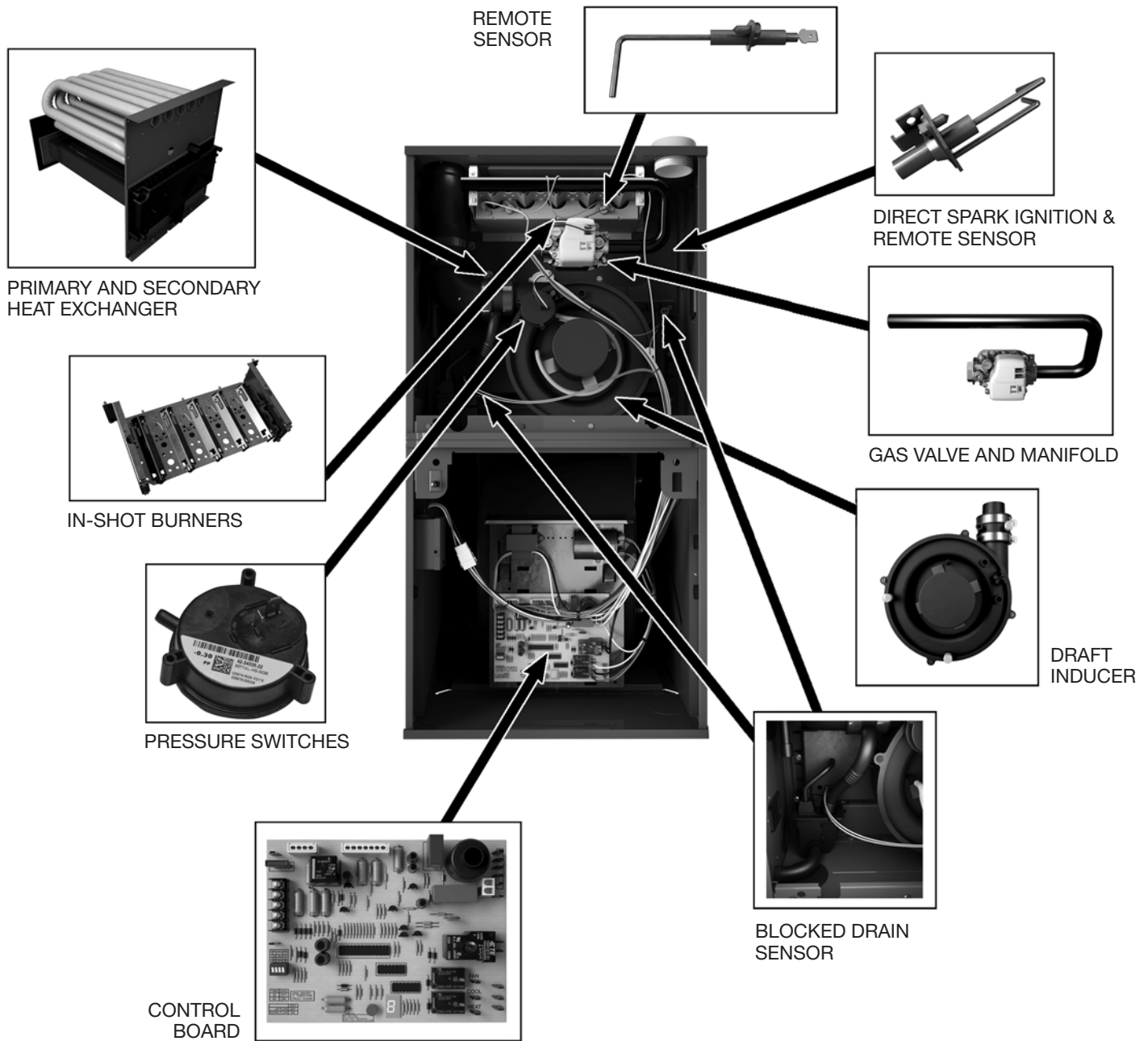
- 95% residential gas furnace CSA certified
- 4 way multi-poise design
- 7-Segment LED all units
- Direct Spark Ignition for reliability and longevity
- Water Management System with patented Blocked Drain Sensor
- Heat exchanger is removable for improved serviceability. Aluminized steel primary and stainless steel secondary construction provide maximum corrosion resistance and thermal fatigue reliability.
- Low profile "34 inch" cabinet ideal for space constrained installations.
- Blower Shelf design – serviceable in all furnace orientations

- Pre marked hoses – insures proper system drainage
- Vent with 2" or 3" PVC
- Replaceable Collector box
- Hemmed edges on cabinet and doors
- Quarter turn fasteners for tool less access
- Integrated control boards feature dip switches for easy system set up
- Self priming condensate trap
- Solid bottom included

†A.F.U.E. (Annual Fuel Utilization Efficiency) calculated in accordance with Department of Energy test procedures.

## Table of Contents

Standard & Optional Equipment .....	3
Physical Data & Specifications .....	4
Model Number Identification .....	5
Dimensional Data.....	6
Blower Performance Data.....	7
Accessories.....	8
Limited Warranty .....	9



## STANDARD EQUIPMENT

Completely assembled and wired; blocked drain sensor, 7 segment LED and marked hoses; heat exchanger; primary: aluminized steel, secondary: 29-4C stainless steel; induced draft; pressure switches; redundant main gas control; blower compartment door safety switch; solid state time on/off blower control; limit controls; manual shut-off valve; 100% safety lock out; cool fan off delay; field selectable heat fan off delay; one hour automatic retry; power and self-test diagnostics; flame sense current diagnostics; electronic air cleaner connections; twinning (built-in) features; humidifier connections; humidifier on/off delay; low speed continuous fan option; single speed option for heating and cooling applications; transformer; direct drive, multi-speed blower motor. (Please note: a thermostat is not included as standard equipment.)

## OPTIONAL EQUIPMENT

Side and bottom filter racks; return air cabinet for all sizes.

NOTE: Furnace is not listed for use with fuels other than natural or L.P. (propane) gas.

All models can be converted by a qualified distributor or local service dealer to use L.P. (propane) gas without changing burners. Factory approved kits must be used to convert from natural to L.P. (propane) gas and may be ordered as optional accessories from a parts distributor.

For L.P. (propane) operation, refer to Conversion Kit Index Form.

## WARNING

THIS FURNACE IS NOT APPROVED  
OR RECOMMENDED  
FOR USE IN MOBILE HOMES

**Physical Data and Specifications—Upflow Models  
U.S. and Canadian Models**

MODEL NUMBERS	S95PA0401317MSA	S95PA0601317MSA	S95PA0701317MSA	S95PA0851521MSA	S95PA1001521MSA	S95PA1151524MSA
HIGH FIRE INPUT BTU/HR [kW] ①	42,000 [12.31]	56,000 [16.41]	70,000 [20.50]	84,000 [24.61]	98,000 [28.72]	112,000 [32.82]
HEATING CAPACITY BTU/HR [kW]	41,000 [12.02]	54,000 [15.83]	68,000 [19.93]	82,000 [24.03]	95,000 [27.84]	108,000 [31.65]
HIGH ALTITUDE OUTPUT 10% DERATE [kW] ②	36,288 [10.64]	48,384 [14.18]	60,480 [17.72]	72,576 [21.28]	84,672 [24.81]	96,768 [28.36]
BLOWER (D x W) [mm]	11 x 7 [279 x 178]	11 x 8 [279 x 203]	11 x 8 [279 x 203]	11 x 10 [279 x 254]	11 x 10 [279 x 254]	11 x 11 [279 x 279]
MOTOR H.P. [W]— TYPE	1/4 [187]-4-PSC	1/2 [373]-4-PSC	1/2 [373]-4-PSC	3/4 [559]-4-PSC	3/4 [559]-4-PSC	3/4 [559]-4-PSC
MIN. CIRCUIT AMPACITY	8	11	11	13	13	13
MIN. OVERLOAD PROTECTION DEVICE	15	15	15	15	15	15
MAX. OVERLOAD PROTECTION DEVICE	15	15	15	20	20	20
HEATING SPEED	MED-HIGH	MED-HIGH	MED-HIGH	MED-HIGH	MED-HIGH	MED-HIGH
COOLING SPEED	HIGH	HIGH	HIGH	HIGH	HIGH	HIGH
MINIMUM EXT. STATIC PRESSURE (IN. W.C.) [kPa]	.18 [.045]	.20 [.050]	.23 [.057]	.28 [.070]	.28 [.070]	.28 [.070]
MAXIMUM EXT. STATIC PRESSURE (IN. W.C.) [kPa]	0.8 [0.19]	0.8 [0.19]	0.8 [0.19]	0.8 [0.19]	0.8 [0.19]	0.8 [0.19]
HEATING CFM @ .2" [.049 kPa] W.C. E.S.P. [L/s]	1049 [494]	1139 [537]	1211 [571]	1704 [804]	1748 [825]	1750 [825]
COOLING CFM @ .5" [.124 kPa] W.C. E.S.P. [L/s]	1121 [528]	1232 [581]	1318 [622]	1742 [822]	1782 [841]	1934 [912]
TEMPERATURE RISE-HIGH FIRE RANGE IN DEGREES °F [°C]	25 - 55 [14 - 31]	35 - 65 [19 - 36]	40 - 70 [22 - 39]	35 - 65 [19 - 36]	35 - 65 [19 - 36]	45 - 75 [25 - 42]
APPROX. SHIPPING WEIGHT (LBS.) [kg]	123.5 [56]	128 [58]	132 [60]	147.5 [67]	152 [69]	165 [75]
AFUE ③	95.00%	95.00%	95.00%	95.00%	95.00%	95.00%

NOTES: All models are 115V, 60HZ, 1 phase Gas connection size for all models is 1/2" [13 mm] N.P.T.

① Installation instructions for high altitude derate.

② Canadian installations only.

③ In accordance with D.O.E. test procedures.

\*S=Standard Models

NOTE: Standard model complies with California low nox requirements.

This furnace does not meet air district requirements of 14 ng/J NOx emissions limit, and thus is subject to a mitigation fee of up to \$450. This furnace is not eligible for the Clean Air Furnace Rebate Program: [www.CleanAirFurnaceRebate.com](http://www.CleanAirFurnaceRebate.com).

This furnace is to be installed for propane firing only in air districts requiring 14 ng/J NOx emission limits. Operating in natural gas mode is in violation of these Rules.

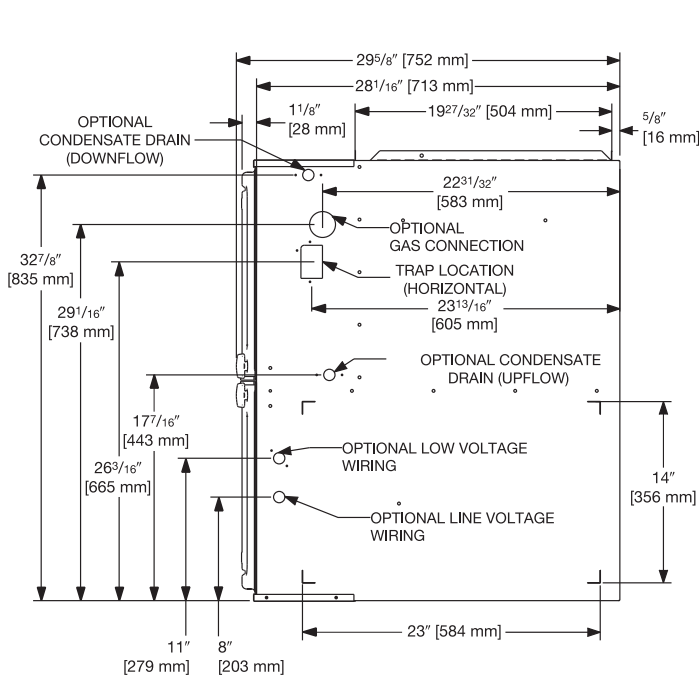
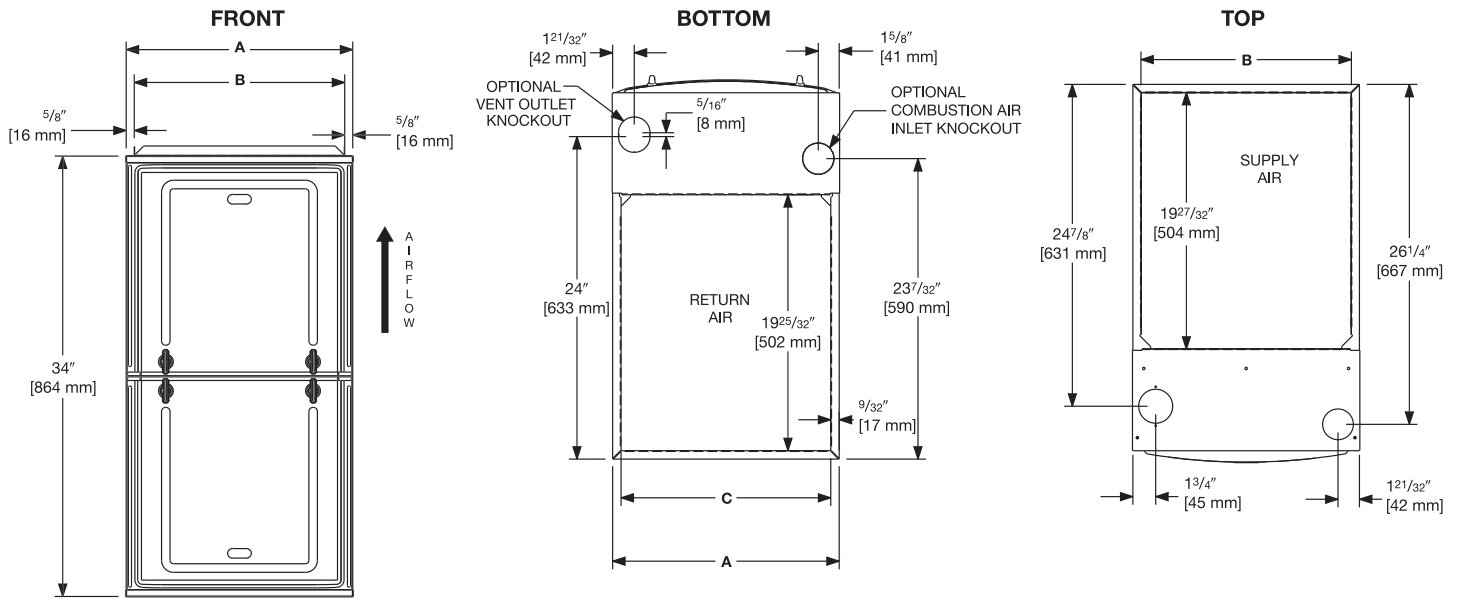
[ ] Designates Metric Conversions

## Model Number Identification

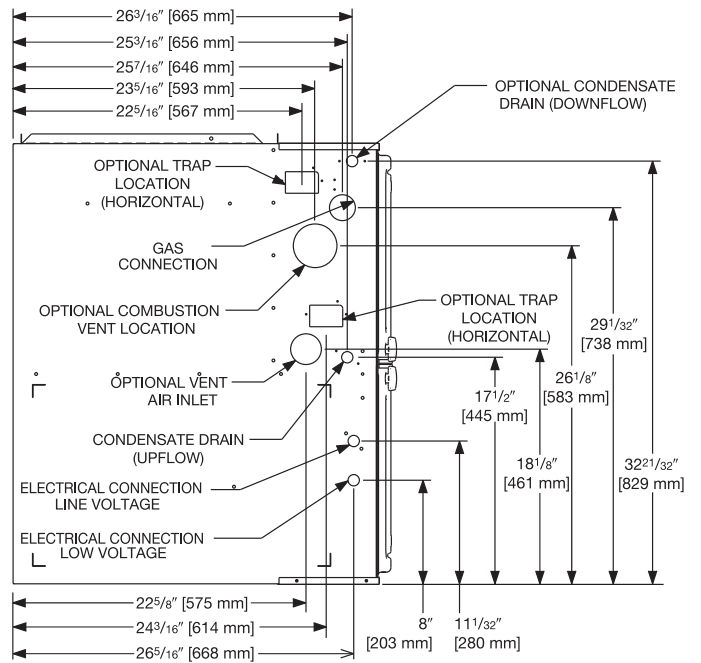
<u>S</u>	<u>95</u>	<u>P</u>	<u>A</u>	—	<u>040</u>	<u>1</u>	<u>3</u>	<u>17</u>	<u>M</u>	<u>S</u>	<u>A</u>
Sure Comfort	Series 95% Efficient	Motor - PSC	Design Series A = 1st Design		Input BTU/HR	Stage - Single	Airflow 3 - Up to 3 Tons 5 - Up to 5 Tons	Cabinet Width 17 = 17.5" 21 =21.0" 24 =24.5"	Configuration - Multi-Position	S = Standard N = NOx	Revision - Marketing (A - First Time Release)
					040 = 42,000 [12.31 kW]						
					060 = 56,000 [16.41 kW]						
					070 = 70,000 [20.51 kW]						
					085 = 84,000 [24.62 kW]						
					100 = 98,000 [28.72 kW]						
					115 = 112,000 [32.82 kW]						

[ ] Designates Metric Conversions

# Sure Comfort® S95PA Multi Position Gas Furnaces



RIGHT SIDE



LEFT SIDE

## UNIT DIMENSIONS (CLEARANCE TO COMBUSTIBLES)

MODEL S95PA	LEFT SIDE	MINIMUM CLEARANCE (IN.) [mm]					SHIP WGTs.	FLANGE DIMENSIONS		
		RIGHT SIDE	BACK	TOP	FRONT	VENT		A	B	C
040	0	0	0	1 [25]	2 [51]	0	123.5 [56]	17 1/2 [445]	16 17/64 [413]	16 13/64 [412]
060	0	0	0	1 [25]	2 [51]	0	128 [58]	17 1/2 [445]	16 17/64 [413]	16 13/64 [412]
070	0	0	0	1 [25]	2 [51]	0	132 [60]	17 1/2 [445]	16 17/64 [413]	16 13/64 [412]
085	0	0	0	1 [25]	2 [51]	0	147.5 [67]	21 [533]	19 49/64 [502]	19 45/64 [500]
100	0	0	0	1 [25]	2 [51]	0	152 [69]	21 [533]	19 49/64 [502]	19 45/64 [500]
115	0	0	0	1 [25]	2 [51]	0	165 [75]	24 1/2 [662]	23 17/64 [591]	23 13/64 [589]

\*A service clearance of at least 24" is recommended in front of all furnaces  
Supply and return depicted as upflow configuration.  
Flange configuration will vary depending on installation orientation.

[ ] Designates Metric Conversions

MODEL	BLOWER SIZE [mm]	MOTOR H.P. [W]	BLOWER SPEED	CFM [L/s] AIR DELIVERY							
				EXTERNAL STATIC PRESSURE INCHES WATER COLUMN [kPa]							
				0.1 [.02]	0.2 [.05]	0.3 [.07]	0.4 [.10]	0.5 [.12]	0.6 [.15]	0.7 [.17]	0.8 [.19]
S95PA 0401317	11 x 7 [279 x 178]	1/4 [187]	LOW	732 [345]	695 [328]	669 [316]	639 [301]	605 [285]	547 [258]	512 [242]	487 [230]
			MED-LO	875 [413]	845 [399]	820 [387]	792 [374]	766 [361]	726 [342]	659 [311]	605 [286]
			<b>MED-HI*</b>	1073 [506]	1049 [495]	1004 [474]	975 [460]	943 [445]	900 [425]	864 [408]	798 [376]
			HIGH	1279 [603]	1239 [584]	1213 [572]	1174 [554]	1121 [529]	1069 [504]	1033 [487]	980 [462]
S95PA 0601317	11 x 8 [279 x 203]	1/2 [373]	LOW	830 [392]	793 [374]	755 [356]	705 [333]	654 [308]	599 [283]	544 [257]	496 [234]
			MED-LO	940 [443]	908 [428]	875 [413]	821 [387]	766 [361]	710 [333]	653 [308]	584 [275]
			<b>MED-HI*</b>	1168 [551]	1139 [537]	1109 [523]	1060 [500]	1010 [476]	942 [444]	874 [412]	802 [378]
			HIGH	1421 [670]	1385 [653]	1349 [636]	1291 [609]	1232 [581]	1147 [541]	1062 [501]	976 [460]
S95PA 0701317	11 x 8 [279 x 203]	1/2 [373]	LOW	852 [402]	827 [390]	802 [378]	752 [355]	701 [331]	662 [312]	623 [294]	580 [274]
			MED-LO	986 [465]	955 [450]	923 [435]	883 [417]	843 [398]	790 [373]	737 [348]	686 [324]
			<b>MED-HI*</b>	1238 [584]	1211 [571]	1183 [558]	1139 [537]	1094 [516]	1036 [489]	978 [461]	897 [423]
			HIGH	1493 [704]	1452 [685]	1410 [665]	1364 [643]	1318 [622]	1257 [593]	1195 [564]	1084 [511]
S95PA 0851521	11 x 10 [279 x 254]	3/4 [559]	LOW	1313 [619]	1275 [601]	1236 [583]	1221 [576]	1184 [558]	1141 [538]	1098 [518]	1053 [497]
			MED-LO	1488 [702]	1452 [685]	1415 [667]	1384 [653]	1328 [626]	1279 [603]	1229 [580]	1170 [552]
			<b>MED-HI*</b>	1732 [817]	1704 [804]	1676 [791]	1630 [769]	1579 [745]	1498 [707]	1417 [668]	1343 [633]
			HIGH	1983 [935]	1929 [910]	1874 [884]	1810 [854]	1742 [822]	1663 [784]	1583 [747]	1477 [697]
S95PA 1001521	11 x 10 [279 x 254]	3/4 [559]	LOW	1329 [627]	1313 [619]	1296 [611]	1260 [594]	1224 [577]	1171 [552]	1117 [527]	1049 [495]
			MED-LO	1535 [724]	1498 [707]	1461 [689]	1422 [671]	1382 [652]	1325 [625]	1268 [598]	1203 [567]
			<b>MED-HI*</b>	1796 [847]	1748 [825]	1700 [802]	1656 [781]	1612 [760]	1536 [725]	1460 [689]	1370 [646]
			HIGH	2019 [952]	1961 [925]	1903 [898]	1843 [869]	1782 [841]	1687 [796]	1592 [751]	1489 [702]
S95PA 1151524	11 x 11 [279 x 279]	3/4 [559]	LOW	1249 [589]	1234 [582]	1219 [575]	1183 [558]	1146 [541]	1112 [525]	1078 [508]	1017 [480]
			MED-LO	1440 [679]	1429 [674]	1417 [668]	1381 [651]	1344 [634]	1313 [619]	1281 [604]	1221 [576]
			<b>MED-HI*</b>	1770 [835]	1750 [825]	1730 [816]	1696 [800]	1662 [784]	1611 [760]	1559 [735]	1463 [690]
			HIGH	2123 [1001]	2077 [980]	2031 [958]	1983 [935]	1934 [912]	1856 [875]	1777 [838]	1665 [785]

\*Factory setting for heat all grey cells are valid heating settings. Do not use speed tabs and/or static pressure which do not fall into the grey cells on this table.  
NOTE: Unit tested without filters.

[ ] Designates Metric Conversions.

**VENT TERMINATION KITS: =**

- RXGY-E02:** Vertical/Horizontal Concentric Vent Termination Kit 2" Pipe (US Only)
- RXGY-E02A:** Vertical/Horizontal Concentric Vent Termination Kit 2" Pipe (US & Canadian)
- RXGY-E03:** Vertical/Horizontal Concentric Vent Termination Kit 3" Pipe (US Only)
- RXGY-E03A:** Vertical/Horizontal Concentric Vent Termination Kit 3" Pipe (US & Canadian)
- RXGY-G02:** Direct Vent Furnace Side Wall Vent 2" or 3" (US Only)
- RXGY-D05:** Combustion Air Drain Kit 2"
- RXGY-D06:** Combustion Air Drain Kit 3"
- NEUTRALIZER KIT:** RXGY-A01  
(Replacement Cartridge 54-22120-01)
- EXTERNAL BOTTOM FILTER (UPFLOW/HORIZONTAL) RACK:**  
RXGF-CB
- EXTERNAL SIDE (UPFLOW) FILTER RACK:** RXGF-CD
- EXTERNAL (DOWNFLOW) FILTER RACK:** RXGF-CC

**FOR HIGH ALTITUDES:**

**NOTE:** For Canadian installations only, an optional derate (manifold gas pressure reduction) method may be used to adjust the furnace for altitude. See Installation Instructions for more information. This optional method may **NOT** be used for U.S. installations. See installation instructions as appropriate orifice change is required.

- L.P. CONVERSION KIT:** RXGJ-FP38
- CONDENSATE PUMP KIT:** PROSTOCK & 1PCB151TUL
- DOWNFLOW/HORIZONTAL CONVERSION KIT:** RXGY-CK
- DOWNFLOW/HORIZONTAL LEFT ZERO CLEARANCE CONVERSION KIT:** RXGY-ZK
- COMBUSTIBLE FLOOR BASE:** RXGC-B17  
RXGC-B21  
RXGC-B24

[ ] Designates Metric Conversions

FILTER RACK FILTER SIZES* INCHES [mm]			
MODEL	RXGF-CB (UPFLOW/ HORIZONTAL)	RXGF-CD (UPFLOW)	RXGF-CC (DOWNFLOW)
S95PA040	15 <sup>3</sup> / <sub>4</sub> x 25 [400 x 635]	15 <sup>3</sup> / <sub>4</sub> x 25 [400 x 635]	14 x 20 [356 x 508]
S95PA060	15 <sup>3</sup> / <sub>4</sub> x 25 [400 x 635]	15 <sup>3</sup> / <sub>4</sub> x 25 [400 x 635]	14 x 20 [356 x 508]
S95PA070	15 <sup>3</sup> / <sub>4</sub> x 25 [400 x 635]	15 <sup>3</sup> / <sub>4</sub> x 25 [400 x 635]	14 x 20 [356 x 508]
S95PA085	19 <sup>1</sup> / <sub>4</sub> x 25 [489 x 635]	15 <sup>3</sup> / <sub>4</sub> x 25 [400 x 635]	14 x 20 [356 x 508]
S95PA100	19 <sup>1</sup> / <sub>4</sub> x 25 [489 x 635]	15 <sup>3</sup> / <sub>4</sub> x 25 [400 x 635]	14 x 20 [356 x 508]
S95PA115	22 <sup>3</sup> / <sub>4</sub> x 25 [578 x 635]	15 <sup>3</sup> / <sub>4</sub> x 25 [400 x 635]	14 x 20 [356 x 508]

**INDOOR COIL CASINGS**

MODEL NUMBER
RXBC-D17A1
RXBC-D21A1
RXBC-D21B1
RXBC-D24A1



**GENERAL TERMS OF LIMITED WARRANTY\***

Sure Comfort® will furnish a replacement for any part of this product which fails in normal use and service within the applicable period stated, in accordance with the terms of the limited warranty.

Parts.....Five (5) Years  
Heat Exchanger .....Ten (10) Years

\*For complete details of the Limited and Conditional Warranties, including applicable terms and conditions, contact your local contractor or the Manufacturer for a copy of the product warranty certificate.







**Sure Comfort®**  
P.O. Box 17010, Fort Smith, AR 72917

Before proceeding with installation, refer to installation instructions packaged with each model, as well as complying with all Federal, State, Provincial, and Local codes, regulations, and practices.